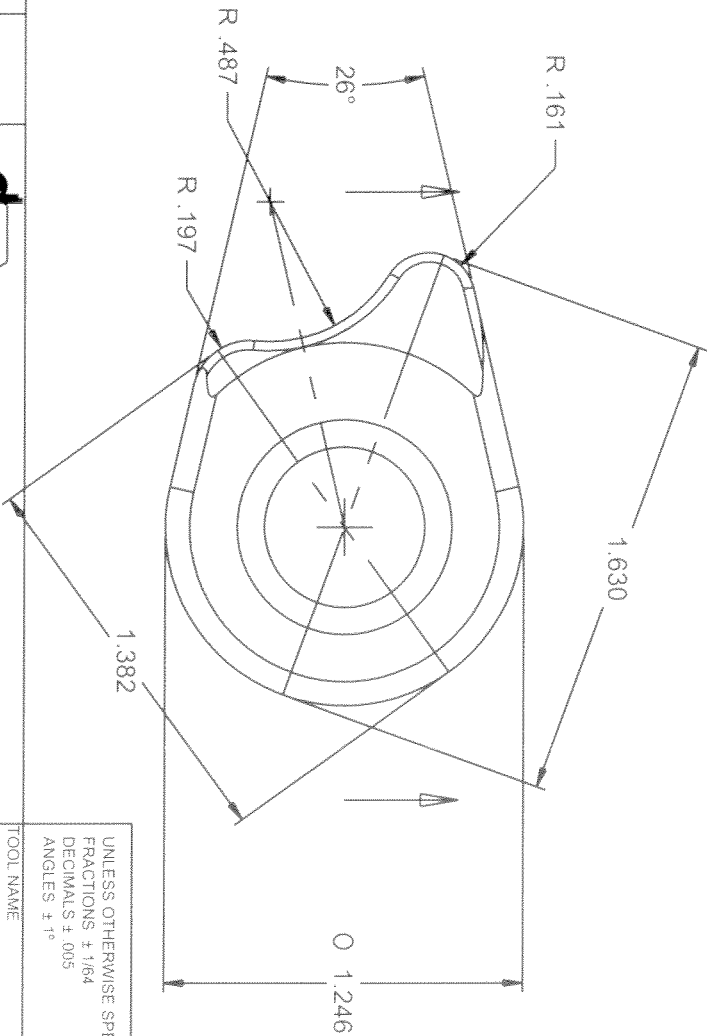
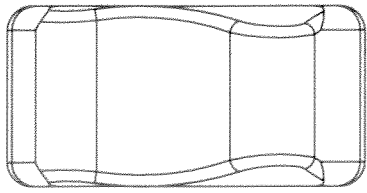


ALL DIMS ARE REFERENCE ONLY



C/N	S	CHANGE	DATE	DR	CH	OK
	A					
	B					
	C					
	D					
	E					



**DECKER**

MANUFACTURING CORPORATION

ALBION, MICHIGAN 49224

CONFIDENTIAL

THIS DOCUMENT IS THE EXCLUSIVE PROPERTY OF DECKER MANUFACTURING CORPORATION AND IS TO BE RETURNED TO THE COMPANY UPON REQUEST. THE CONTENTS ARE NOT TO BE USED IN ANY MANNER DETRIMENTAL TO THE INTERESTS OF THE COMPANY. THEY ARE NOT TO BE DISCLOSED OR REPRODUCED IN WHOLE OR IN PART WITHOUT EXPRESSED CONSENT.

UNLESS OTHERWISE SPECIFIED  
 FRACTIONS ± 1/64  
 DECIMALS ± .005  
 ANGLES ± 1°

ETCH TOOL NUMBER  
 VENDOR I.D. AND DATE

TOOL NAME

900-LUGW

DETAIL NO.

MATERIAL

C1008-1010 STEEL

HEAT TREAT

MACH

3/4 NAT.

SCALE

1.5X

DRAWN BY

ACF

DATE

8/25/08

SHEET NO.

CHECKED BY

APPROVED BY

900-LUGW