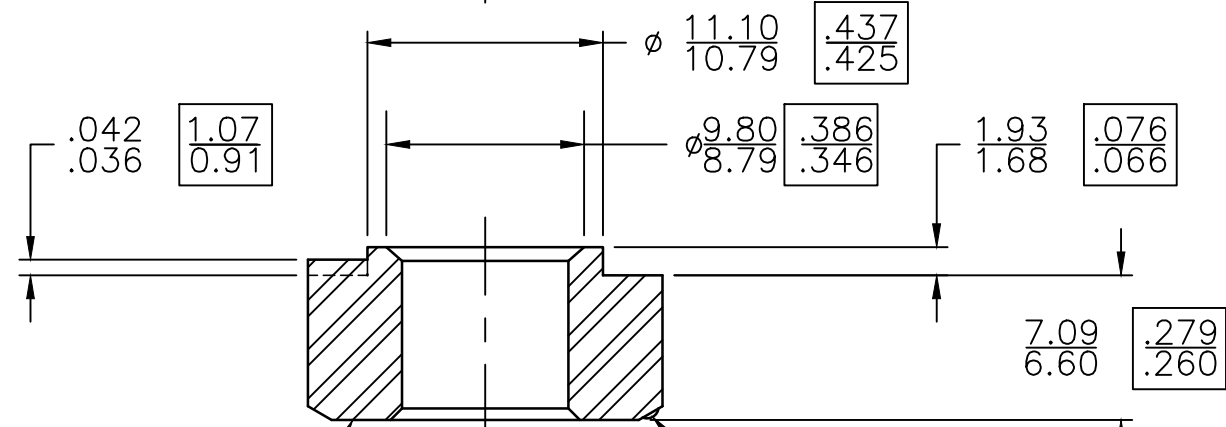


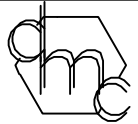
NOTE: DIMENSIONS IN   ARE IN INCHES.



DECKER MFG. IDENT. "D"  
& PROPERTY CLASS "9" MARKING  
TO APPEAR ON THIS SURFACE.

DECKER MFG. IDENT.  
RAISED "DOT" (1) PLC.

C/N	S	CHANGE	DATE	DR	CH	OK
	A					
	B					
	C					
	D					
	E					



**DECKER**  
**MANUFACTURING CORPORATION**  
 ALBION, MICHIGAN 49224  
 CONFIDENTIAL

THIS DOCUMENT IS THE EXCLUSIVE PROPERTY OF DECKER MANUFACTURING CORPORATION AND IS TO BE RETURNED TO THE COMPANY UPON REQUEST. THE CONTENTS ARE NOT TO BE USED IN ANY MANNER DETRIMENTAL TO THE INTERESTS OF THE COMPANY. THEY ARE NOT TO BE DISCLOSED OR REPRODUCED IN WHOLE OR IN PART WITHOUT EXPRESSED CONSENT.

PART NAME WELD NUT – HEX		
CUSTOMER PART NO.		
MATERIAL C1010 STEEL		
FINISH PLAIN		SCALE
DRAWN BY MAK	DATE 2/9/07	SHEET NO.
CHECKED BY	APPROVED BY	097-Q682