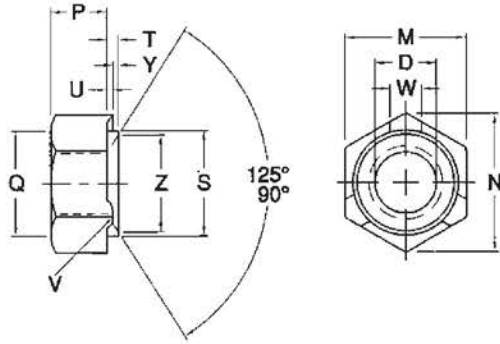
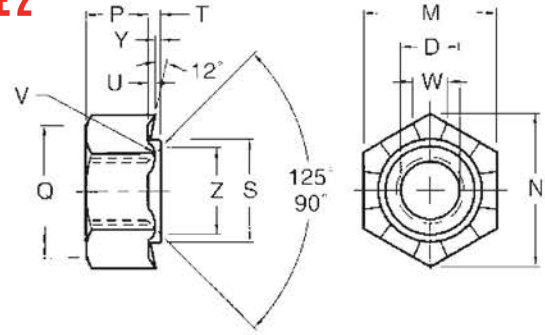




STYLE 1



STYLE 2



GM Type E Piloted Projection Weld Nuts

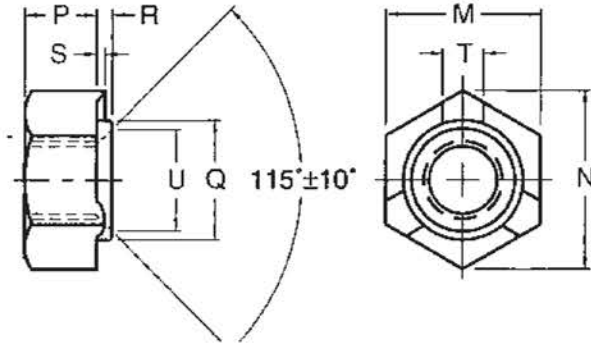
Nominal Size	Thread Pitch	D		M		N		P		Q	S		Projection				Y	Z		Recommended Hole Size	GM Part Numbers			
		Minor Diameter		Hexagon Width Across Flats		Hexagon Width Across Corners		Nut Thickness		Chamfer Diameter	Pilot Diameter		Pilot Height	Height	Radius	Width	Pilot Protrusion	Counter-Sink Diameter			Steel	Plain Style 1	Thread Mask Style 1	Plain Style 2
		Max.	Min.	Max.	Min.	Max.	Min.	Max.	Min.	Min.	Max.	Min.						±0.13	±0.08					
M6	1	5.153	4.917	13.00	12.73	15.01	14.38	5.6	5.1	11.0	9.10	8.80	1.00	0.44	3.67	3.41	0.35	7.8	6.8	9.50	11503942	11514014	-	
													1.60	0.80	2.30		0.59				11504483	11514081	-	
M8	1.25	6.912	6.647	15.00	14.73	17.32	16.61	7.1	6.6	12.7	11.10	10.80	1.00	0.44	4.82	3.94	0.35	9.8	8.8	11.50	11504484	11514176	11509059	
													1.80	1.00	2.51		0.59				11504546	11514177	11509060	
M8	1.25	6.912	6.647	15.00	14.73	17.32	16.61	9.50	9.00	12.7	11.10	10.80	1.00	0.44	4.82	3.94	0.35	9.8	8.8	11.50	11517400	11517407	-	
													1.80	1.00	2.51		0.59				11517403	11517410	-	
M10	1.50	8.676	8.376	18.00	17.73	20.78	20.03	7.7	8.2	15.3	13.60	13.30	1.16	0.55	5.43	4.74	0.40	12.3	11.0	14.00	11504485	11514082	11509061	
													1.80	1.00	3.41		0.59				11505140	11517065	11509062	
M10	1.50	8.676	8.376	18.00	17.73	20.78	20.03	12.20	11.80	15.3	13.60	13.30	1.16	0.55	5.43	4.74	0.40	12.3	11.0	14.00	11517401	11517408	-	
													1.80	1.00	3.41		0.59				11517404	22637582	-	
M12	1.75	10.441	10.106	21.00	20.67	24.25	23.35	9.9	9.4	17.8	16.10	15.80	1.26	0.65	6.28	5.54	0.40	14.8	13.0	16.50	11504449	11514178	-	
													1.80	1.00	4.47		0.59				11504486	11514179	-	
M12	1.75	10.441	10.106	21.00	20.67	24.25	23.35	14.30	13.80	17.8	16.10	15.80	1.26	0.65	6.28	5.54	0.40	14.8	13.0	16.50	11517402	11517409	-	
													1.80	1.00	4.47		0.59				11517405	22637583	-	
M14	2.00	12.210	11.835	24.00	23.67	27.71	26.75	11.5	11.0	20.4	19.10	18.80	1.26	0.65	8.12	6.34	0.40	17.8	15.0	19.50	11508337	-	-	
													1.80	1.00	5.70		0.59							
M14	2.00	12.210	11.835	24.00	23.67	27.71	26.75	16.50	15.90	20.4	19.10	18.80	1.80	1.00	5.70	6.34	0.59	17.8	15.0	19.50	-	-	-	
													1.90	1.00	6.58		0.85				11517406	22637584	-	
M16	2.00	14.210	13.835	26.00	25.61	30.02	28.94	13.5	13.0	22.1	20.60	20.30	1.36	0.75	8.28	6.86	0.40	19.3	17.0	21.0	11508339	-	-	
													1.90	1.00	6.58		0.85							

GM HEX WELD NUTS

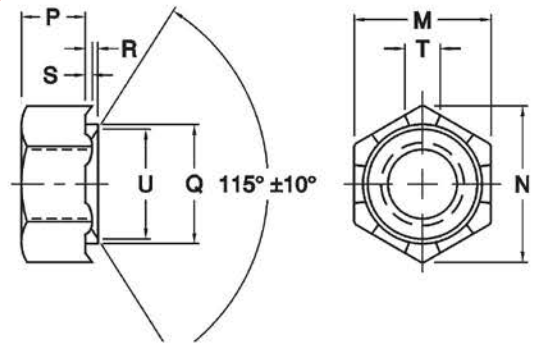
AMERICAN STANDARD



STYLE 1



STYLE 2



GM Type E Piloted Projection Weld Nuts – American Standard

Nominal Size	Threads Per Inch	Thread Detail				M		N		P		Q	R	S	T	U	Recommended Hole Size	GM Part Numbers	
		Pitch Diameter		Minor Diameter		Nut Width		Across Corners		Nut Thickness		Pilot Diameter	Pilot Height	Projection Height	Projection Width	Countersink Diameter		Steel	
		Min.	Max.	Min.	Max.	Max.	Min.	Max. Ref. +	Min.	Max.	Min.	+0.000 -0.012	±0.005	±0.003	±0.010	Max.		+0.000 -0.013	Plain Style 1
1/4	20	.2175	.2223	.196	.207	.500	.489	.58	.556	.198	.178	.406	.040	.025	.116	.368	.422	9415281	9417128
1/4	20	.2175	.2223	.196	.207	.500	.489	.58	.556	.198	.178	.406	.065	.040	.136	.368	.422	9417159	9417129
1/4	20	.2175	.2223	.196	.207	.500	.489	.58	.556	.198	.178	.406	.085	.040	.136	.368	.422	9417160	9417130
5/16	18	.2764	.2817	.252	.265	.562	.551	.65	.624	.229	.209	.469	.040	.025	.128	.431	.484	9415607	9417134
5/16	18	.2764	.2817	.252	.265	.562	.551	.65	.624	.229	.209	.469	.070	.040	.155	.431	.484	9417164	9417135
5/16	18	.2764	.2817	.252	.265	.562	.551	.65	.624	.229	.209	.469	.085	.040	.155	.431	.484	9417165	9417136
3/8	16	.3344	.3401	.307	.321	.625	.612	.72	.691	.260	.240	.531	.050	.030	.150	.493	.547	9417169	9417140
3/8	16	.3344	.3401	.307	.321	.625	.612	.72	.691	.260	.240	.531	.085	.040	.170	.493	.547	9417170	9417141
7/16	14	.3911	.3972	.360	.376	.750	.736	.87	.830	.322	.302	.656	.050	.030	.175	.618	.672	9417173	9417143
7/16	14	.3911	.3972	.360	.376	.750	.736	.87	.830	.322	.302	.656	.085	.040	.199	.618	.672	9417174	9417012
1/2	13	.4500	.4565	.417	.434	.812	.781	.94	.898	.385	.365	.719	.060	.035	.197	.681	.734	9417177	9417145
1/2	13	.4500	.4565	.417	.434	.812	.781	.94	.898	.385	.365	.719	.085	.040	.213	.681	.734	9417178	9417146